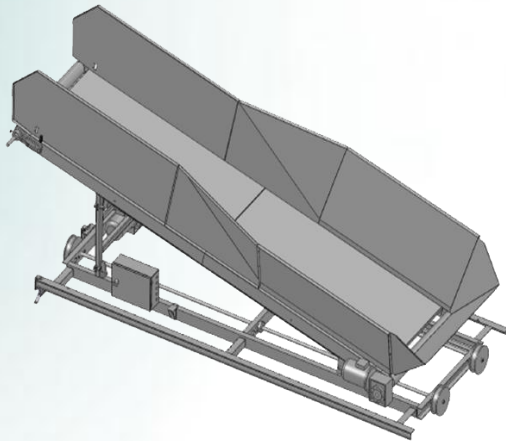


Shuttle Conveyor System



Loading Conveyor

Loading to washer



Unloading Conveyor

Unloading from washer
Loading to dryer

Unloading Conveyor from dryer or for other processes also available

- Design for Sailstar MSM-T tilting washer and GPD-T pass-thru dryer
- Quick loading and unloading reduce waste time to increase production output
- Reduce workers fatigue to increase efficiency
- Load and unload multiple washers and dryers
- PLC controlled with touch screen panel
- Frequency inverter drive for various speed adjustment
- Custom made for various capacities and design for different plant layout
- Optional surveillance camera for safety monitoring
- Optional weighing system for loading conveyor

Please consult Sailstar or appointed local distributors for technical specifications

Shanghai Sailstar Machinery Group Co. Ltd.
1 Fengpu Avenue, Fengpu Industrial Zone,
201400 Shanghai, P.R.China



Tel: 86-21-67100168

Fax: 86-21-67100337

Email: info@sailstar.com.cn

Website: www.sailstar.com.cn